

部 品 表

# ILLUSTRATED PARTS LIST

FOR

# SINGER

MACHINE

1191D 200A  
300A  
258A  
558A

# CONTENTS

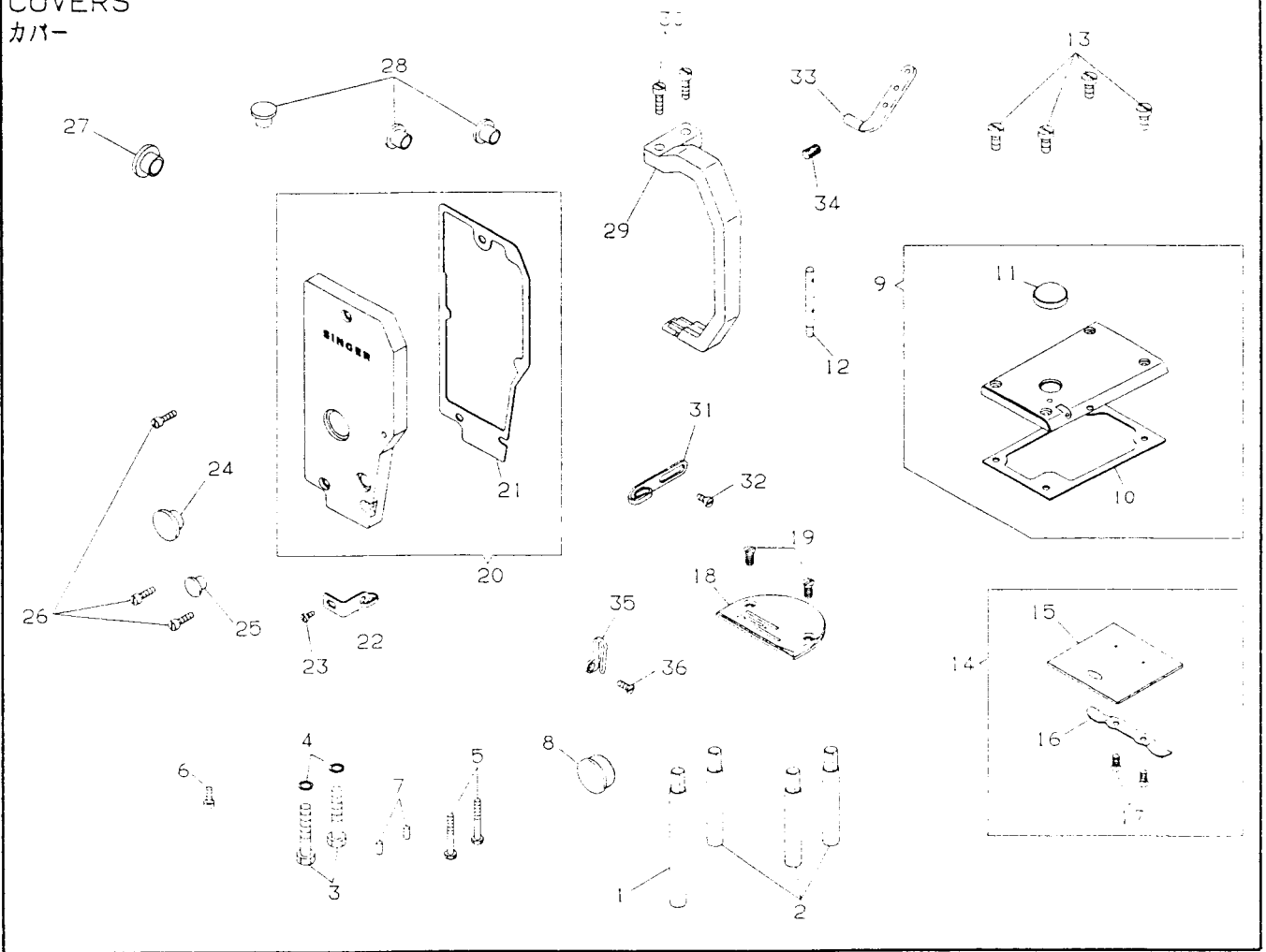
目 次

COVERS -----	1
カバー	
ARM SHAFT, TENSION COMP. -----	2
上軸、上糸調節器(組)	
NEEDLE BAR AND TAKE-UP LEVER -----	3
針棒、天ビン	
PRESSER BAR, PRESSER FOOT AND PRESSER BAR LIFTER -----	4
押工棒、自由押工、押工上げ	
FEED MECHANISM 1 -----	5
送り 1	
FEED MECHANISM 2 -----	6
送り 2	
UPRIGHT SHAFT AND ROTATING HOOK SHAFT -----	7
竖軸、下軸	
LUBRICATING MECHANISM -----	8
給油、還流	
ACCESSORIES AND ATTACHMENTS -----	9
付属品	
PARTS AVAILABLE AT EXTRA CHARGE -----	10
別売品	

\* To ensure that you are always provided with the most modern sewing capabilities, the manufacturer reserves the right to change the appearance, design or accessories of this sewing machine when considered necessary without notification or obligation.

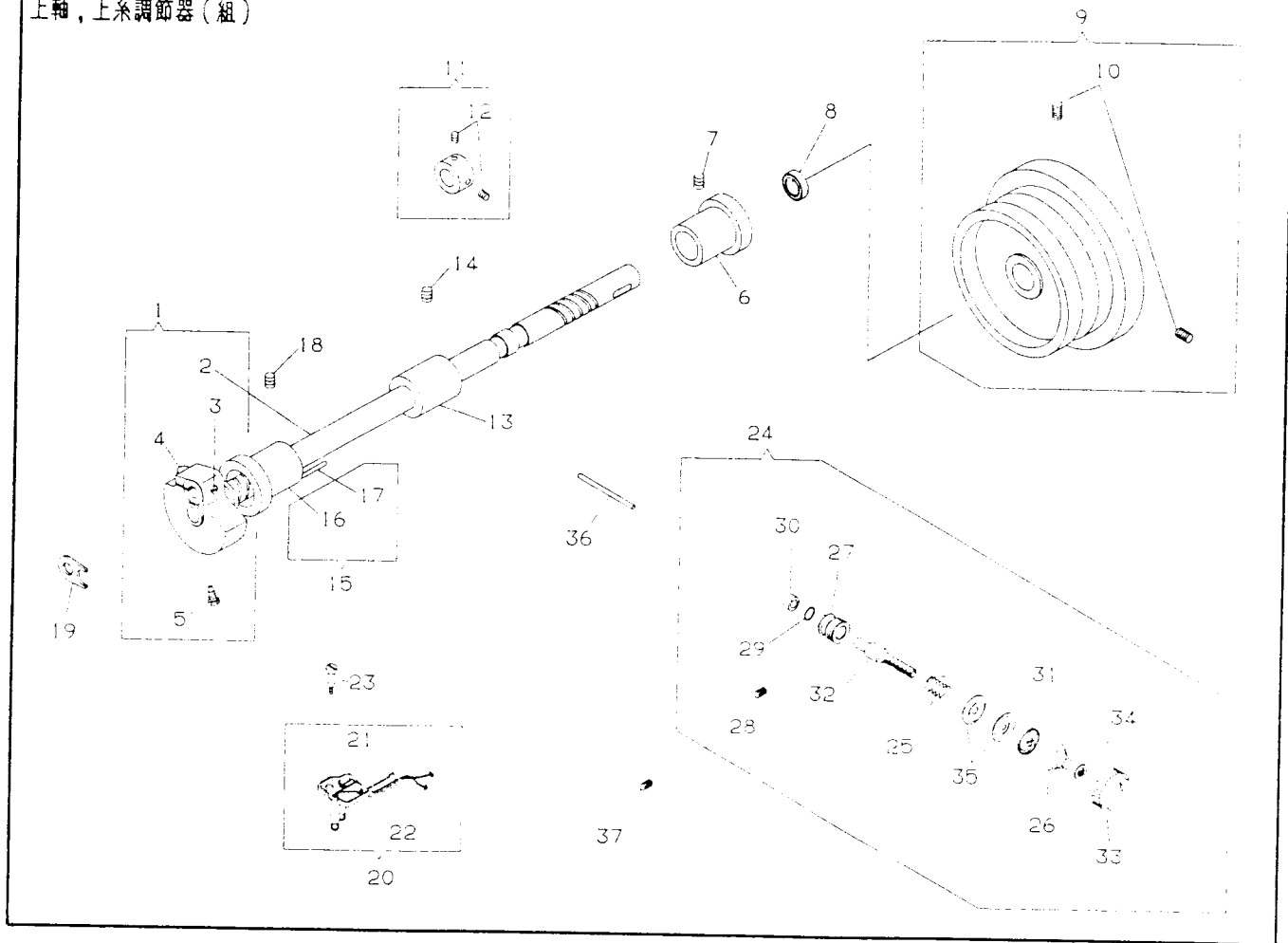
COVERS

カバー



NO.	部品番号 PART NO.	D200A D100A	D258A D558A	数量 QTY	名称	DESCRIPTION
1	550009	●	●	1	ベッド脚(長)	BED LEG (LONG)
2	550010	●	●	3	ベッド脚(短)	BED LEG (SHORT)
3	544363	●	●	2	アーム, ベッド脚メネジ(前)	ARM SCREW (FRONT)
4	543826	●	●	2	アーム, ベッド脚メネジ(前) 座金	ARM SCREW (FRONT) WASHER
5	545033	●	●	2	アーム, ベッド脚メネジ(後)	ARM SCREW (BACK)
6	504064	●	●	1	アーム, ベッド脚メネジ(小)	ARM SCREW (SMALL)
7	505001	●	●	2	アーム, ベッドロックピン	ARM DOWEL PIN
8	550011	●	●	1	ベッドホールプラグ	BED HOLE PLUG
9	550229-469	●	●	1	アーム上蓋(組)	ARM TOP COVER COMP.
10	550015	●	●	1	アーム上蓋パッキン	ARM TOP COVER PACKING
11	545944	●	●	1	オイルフローウインドウ	OIL FLOW WINDOW
12	52239	●	●	1	ネジ棒	ARM SPOOL PIN AND THREAD EYELET
13	544213-053	●	●	4	アーム上蓋脚メネジ	ARM TOP COVER SCREW
14	505317-452	●	●	1	スベリ板(組)	BED SLIDE COMP.
15	12431-452	●	●	1	スベリ板	BED SLIDE
16	154884	●	●	1	スベリ板バネ	BED SLIDE SPRING
17	154789-451	●	●	2	スベリ板バネ止メネジ	BED SLIDE SPRING SCREW
18	414464	●	●	1	針板(輸出)	THROAT PLATE (EXP.)
	541599	●	●	1	針板(国内)	THROAT PLATE (DOM.)
	12482-452	●	●	1	針板	THROAT PLATE
	270326-452	●	●	1	針板(USA向)	THROAT PLATE (FOR USA)
	376391	●	●	1	針板	THROAT PLATE
19	691-845	●	●	2	針板止メネジ	THROAT PLATE SCREW
20	550035-451	●	●	1	面板, パッキン(組)	FACE PLATE AND FACE PLATE PACKING COMP.
21	550037	●	●	1	面板パッキン	FACE PLATE PACKING
22	368041	●	●	1	アーム糸掛け(左)	THREAD EYELET (SIDE OF ARM)
23	544212-001	●	●	1	アーム糸掛け(左)止メネジ	THREAD EYELET (SIDE OF ARM) SCREW
24	368063	●	●	1	面板プラグ(大)	FACE PLATE LARGE PLUG
25	368037	●	●	1	面板プラグ(小)	FACE PLATE SMALL PLUG
26	544212-004	●	●	3	面板メネジ	FACE PLATE SCREW
27	544886	●	●	1	アームホールプラグ(大)	ARM HOLE PLUG (LARGE)
28	544782	●	●	3	アームホールプラグ(小)	ARM HOLE PLUG (SMALL)
29	550040-451	●	●	1	天ビンガード	THREAD TAKE-UP LEVER GUARD
30	544212-012	●	●	2	天ビンガード止メネジ	THREAD TAKE-UP LEVER GUARD SCREW
31	368042	●	●	1	アーム糸掛け(右)	THREAD GUARD (SIDE OF ARM)
32	544212-001	●	●	1	アーム糸掛け(右)止メネジ	THREAD GUARD (SIDE OF ARM) SCREW
33	52454	●	●	1	三ツ目糸掛け	THREAD RETAINER
34	544203-001	●	●	1	三ツ目糸掛け止メネジ	THREAD RETAINER SET SCREW
35	544950	●	●	1	アーム糸掛け(中)	THREAD GUARD (CENTER)
36	500246-850	●	●	1	アーム糸掛け(中)止メネジ	THREAD GUARD (CENTER) SCREW

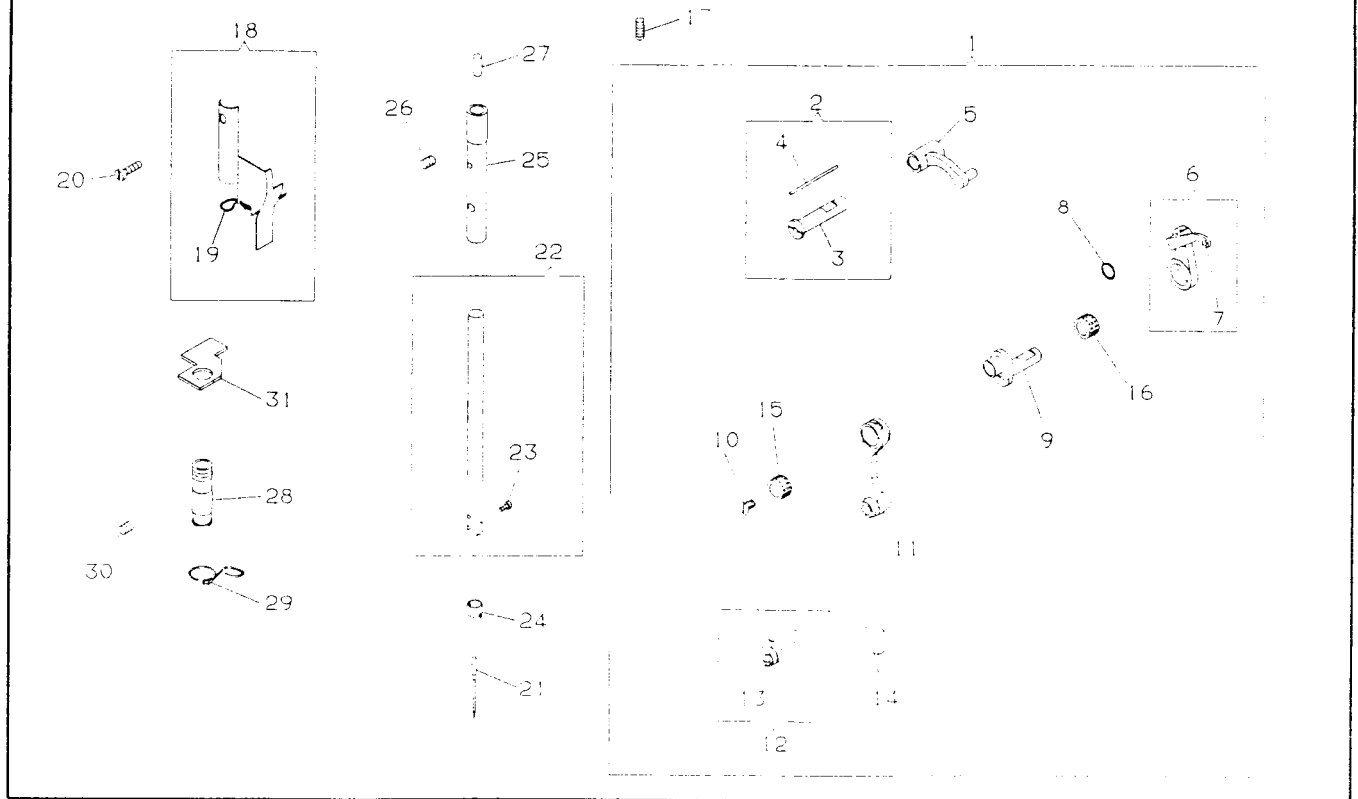
ARM SHAFT, TENSION COMP.  
上軸, 上糸調節器(組)



NO.	部品番号 PART NO.	D200A D300A D258A D558A	数量 QTY.	名称	DESCRIPTION
1	376349	●	1	上軸, 約合クランク(組)	ARM SHAFT (HORIZONTAL) AND NEEDLE BAR CRANK COMP.
2	376290	●	1	上軸, 約合クランク(組)	ARM SHAFT (HORIZONTAL) AND NEEDLE BAR CRANK COMP.
3	504095	●	1	上軸, 約合クランク(組)	ARM SHAFT (HORIZONTAL) AND NEEDLE BAR CRANK COMP.
4	504117	●	1	針棒クランク止めネジ	THREAD TAKE-UP CRANK SET SCREW
5	371100	●	1	針棒クランク締メネジ	THREAD TAKE-UP CLAMPING SCREW
6	540706	●	1	約合クランク止めネジ	NEEDLE BAR CRANK POSITION SCREW
7	504002	●	1	上軸メタル(後)	ARM SHAFT (HORIZONTAL) FLANGED BUSHING (BACK)
8	540707	●	1	上軸メタル(後)止めネジ	ARM SHAFT (HORIZONTAL) FLANGED BUSHING (BACK) SET SCREW
9	550044-451	●	1	上軸メタル(後)オイルシール	ARM SHAFT (HORIZONTAL) FLANGED BUSHING (BACK) OIL SEAL
10	504119	●	1	ハズミ止メネジ	MACHINE PULLEY COMP.
11	545762-001	●	2	ハズミ止メネジ	MACHINE PULLEY SET SCREW
12	504101	●	1	上軸カラー(組)	ARM SHAFT (HORIZONTAL) THRUST COLLAR COMP.
13	545758	●	2	上軸カラー止めネジ	ARM SHAFT (HORIZONTAL) THRUST COLLAR SET SCREW
14	504002	●	1	上軸メタル(中)	ARM SHAFT (HORIZONTAL) THRUST COLLAR SET SCREW
15	540720	●	1	上軸メタル(中)止めネジ	ARM SHAFT (HORIZONTAL) BUSHING (CENTER) SET SCREW
16	540406	●	1	上軸メタル(前)	ARM SHAFT (HORIZONTAL) FLANGED BUSHING (FRONT) COMP.
17	540722	●	1	上軸メタル(前)止めネジ	ARM SHAFT (HORIZONTAL) FLANGED BUSHING (FRONT) COMP.
18	504002	●	1	上軸メタル(前)オイルブレンチュープ錠	ARM SHAFT (HORIZONTAL) FLANGED BUSHING (FRONT) OIL TUBE TAPE
19	540476	●	1	上軸メタル(前)止めネジ	ARM SHAFT (HORIZONTAL) FLANGED BUSHING (FRONT) SET SCREW
20	543365	●	1	針棒クランク座金	THREAD TAKE-UP CRANK WASHER
21	543366	●	1	天ピソイル Wick 支え(組)	OIL WICK HOLDER COMP.
22	543363	●	1	天ピソイル Wick 支え(組)	OIL WICK HOLDER COMP.
23	543364	●	1	天ピソイル Wick 支え, 1/4 (組)	OIL WICK HOLDER AND PIPE
24	545909	●	2	天ピソイル Wick 支え, 1/4 (組)	OIL WICK HOLDER AND PIPE
25	545051	●	1	天ピソイル Wick	OIL WICK (COTTON)
26	376439-452	●	1	天ピソイル Wick 支え止めネジ	OIL WICK HOLDER SCREW
27	376440-452	●	1	上糸調節器(組)	TENSION COMP.
28	32758	●	1	上糸調節器(組)	TENSION COMP.
29	540692	●	1	糸取りバネ	THREAD TAKE-UP SPRING
30	125314	●	1	糸調子バネ	TENSION SPRING
31	368082	●	1	糸調子バネ	TENSION SPRING
32	504047	●	1	糸調子外筒	TENSION SPRING
33	540533	●	1	糸調子止メネジ	THREAD TAKE-UP SPRING REGULATOR
34	540534	●	1	糸調子外筒パッキン	TENSION STUD SET SCREW
35	414273	●	1	糸調子外筒キップ	THREAD TAKE-UP SPRING REGULATOR O-RING
36	545898	●	1	糸調子取付エ	THREAD TAKE-UP SPRING REGULATOR RUBBER CAP
37	413500-452	●	1	糸調子座	TENSION REGULATING DISC
38	411154	●	1	糸調子ツマミ	TENSION STUD
39	2102	●	2	糸調子ツマミ座金	TENSION REGULATING THUMB NUT
40	540694	●	1	糸調子取	TENSION REGULATING THUMB NUT WASHER
41	3768430	●	1	糸調子取付エ	TENSION DISC
42		●	1	糸調子取付エ	TENSION REGULATING THUMB NUT
43		●	1	糸調子取付エ	TENSION REGULATING THUMB NUT WASHER
44		●	1	糸調子取付エ	TENSION DISC
45		●	1	糸調子取付エ	TENSION REGULATING THUMB NUT
46		●	1	糸調子取付エ	TENSION REGULATING THUMB NUT WASHER
47		●	1	糸調子取付エ	TENSION DISC
48		●	1	糸調子取付エ	TENSION REGULATING THUMB NUT
49		●	1	糸調子取付エ	TENSION REGULATING THUMB NUT WASHER
50		●	1	糸調子取付エ	TENSION DISC
51		●	1	糸調子取付エ	TENSION REGULATING THUMB NUT
52		●	1	糸調子取付エ	TENSION REGULATING THUMB NUT WASHER
53		●	1	糸調子取付エ	TENSION DISC
54		●	1	糸調子取付エ	TENSION REGULATING THUMB NUT
55		●	1	糸調子取付エ	TENSION REGULATING THUMB NUT WASHER
56		●	1	糸調子取付エ	TENSION DISC
57		●	1	糸調子取付エ	TENSION REGULATING THUMB NUT
58		●	1	糸調子取付エ	TENSION REGULATING THUMB NUT WASHER
59		●	1	糸調子取付エ	TENSION DISC
60		●	1	糸調子取付エ	TENSION REGULATING THUMB NUT
61		●	1	糸調子取付エ	TENSION REGULATING THUMB NUT WASHER
62		●	1	糸調子取付エ	TENSION DISC
63		●	1	糸調子取付エ	TENSION REGULATING THUMB NUT
64		●	1	糸調子取付エ	TENSION REGULATING THUMB NUT WASHER
65		●	1	糸調子取付エ	TENSION DISC
66		●	1	糸調子取付エ	TENSION REGULATING THUMB NUT
67		●	1	糸調子取付エ	TENSION REGULATING THUMB NUT WASHER
68		●	1	糸調子取付エ	TENSION DISC
69		●	1	糸調子取付エ	TENSION REGULATING THUMB NUT
70		●	1	糸調子取付エ	TENSION REGULATING THUMB NUT WASHER
71		●	1	糸調子取付エ	TENSION DISC
72		●	1	糸調子取付エ	TENSION REGULATING THUMB NUT
73		●	1	糸調子取付エ	TENSION REGULATING THUMB NUT WASHER
74		●	1	糸調子取付エ	TENSION DISC
75		●	1	糸調子取付エ	TENSION REGULATING THUMB NUT
76		●	1	糸調子取付エ	TENSION REGULATING THUMB NUT WASHER
77		●	1	糸調子取付エ	TENSION DISC
78		●	1	糸調子取付エ	TENSION REGULATING THUMB NUT
79		●	1	糸調子取付エ	TENSION REGULATING THUMB NUT WASHER
80		●	1	糸調子取付エ	TENSION DISC
81		●	1	糸調子取付エ	TENSION REGULATING THUMB NUT
82		●	1	糸調子取付エ	TENSION REGULATING THUMB NUT WASHER
83		●	1	糸調子取付エ	TENSION DISC
84		●	1	糸調子取付エ	TENSION REGULATING THUMB NUT
85		●	1	糸調子取付エ	TENSION REGULATING THUMB NUT WASHER
86		●	1	糸調子取付エ	TENSION DISC
87		●	1	糸調子取付エ	TENSION REGULATING THUMB NUT
88		●	1	糸調子取付エ	TENSION REGULATING THUMB NUT WASHER
89		●	1	糸調子取付エ	TENSION DISC
90		●	1	糸調子取付エ	TENSION REGULATING THUMB NUT
91		●	1	糸調子取付エ	TENSION REGULATING THUMB NUT WASHER
92		●	1	糸調子取付エ	TENSION DISC
93		●	1	糸調子取付エ	TENSION REGULATING THUMB NUT
94		●	1	糸調子取付エ	TENSION REGULATING THUMB NUT WASHER
95		●	1	糸調子取付エ	TENSION DISC
96		●	1	糸調子取付エ	TENSION REGULATING THUMB NUT
97		●	1	糸調子取付エ	TENSION REGULATING THUMB NUT WASHER
98		●	1	糸調子取付エ	TENSION DISC
99		●	1	糸調子取付エ	TENSION REGULATING THUMB NUT
100		●	1	糸調子取付エ	TENSION REGULATING THUMB NUT WASHER

# NEEDLE BAR AND TAKE-UP LEVER

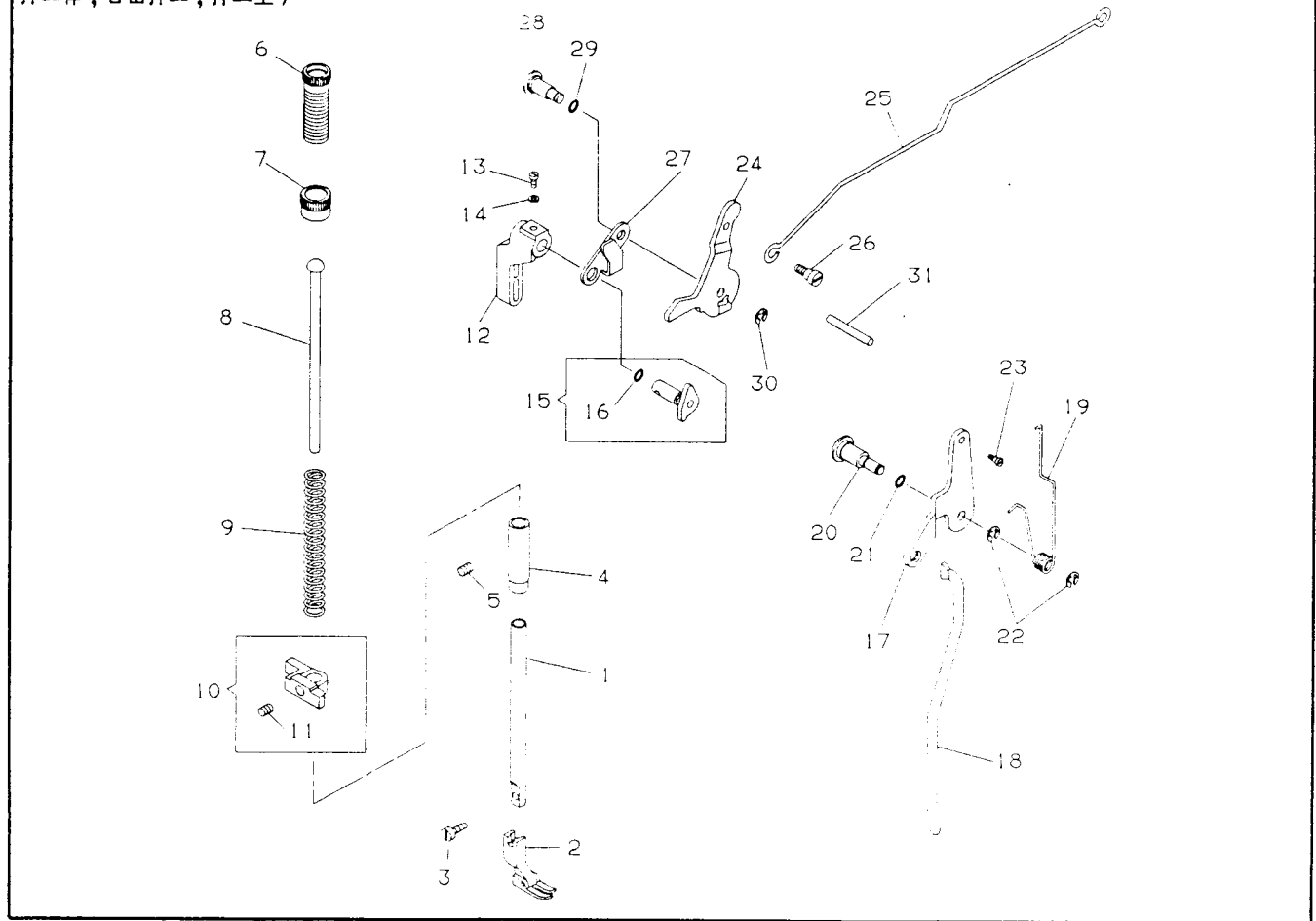
針棒, 天ピン



NO.	部品番号 PART NO.	D200A D300A D568A D586A	数量 QTY.	名称	DESCRIPTION
1	550052	.....	1	天ピン, 針棒クランクロッド (組)	THREAD TAKE-UP COMP.
	550054	.....	1	天ピン, 針棒クランクロッド (組)	THREAD TAKE-UP COMP.
2	543369	.....	1	天ピン支エ軸 (組)	THREAD TAKE-UP LEVER LINK HINGE STUD COMP.
3	543368	.....	1	天ピン支エ軸	THREAD TAKE-UP LEVER LINK HINGE STUD
4	543370	.....	1	天ピン支エ軸オイルウィック	THREAD TAKE-UP LEVER LINK HINGE STUD OIL WICK (COTTON)
5	543367	.....	1	天ピン支エ	THREAD TAKE-UP LEVER LINK
6	540676	.....	1	天ピン (組)	THREAD TAKE-UP LEVER COMP.
7	52130	.....	1	天ピン糸通	THREAD TAKE-UP LEVER THREAD EYELET BUSHING
8	543871-002	.....	1	天ピンOリング	THREAD TAKE-UP LEVER O-RING
9	540677	.....	1	針棒クランク	THREAD TAKE-UP CRANK
	540685	.....	1	針棒クランク	THREAD TAKE-UP CRANK
10	504118	.....	1	針棒クランクロッド左ネジ	NEEDLE BAR CONNECTING LINK CAP SCREW
11	368069	.....	1	針棒クランクロッド	NEEDLE BAR CONNECTING LINK
12	544881	.....	1	針棒軸ネジ (組)	NEEDLE BAR CONNECTING STUD COMP.
13	549380	.....	1	針棒軸ネジメネジ	NEEDLE BAR CONNECTING STUD CLAMPING SCREW
14	143058	.....	1	針棒軸ネジスライドブロック	NEEDLE BAR CONNECTING STUD SLIDE BLOCK
15	540662	.....	1	針棒クランクロッドローラーベアリング	NEEDLE BAR CONNECTING LINK ROLLER BEARING
16	540662	.....	1	天ピンローラーベアリング	THREAD TAKE-UP LEVER ROLLER BEARING
17	504002	.....	1	天ピン支エ軸止メネジ	THREAD TAKE-UP LEVER LINK HINGE STUD SET SCREW
18	376394	.....	1	天ピンオイルガード (組)	THREAD TAKE-UP LEVER OIL GUARD COMP.
19	376396	.....	1	天ピンオイルガードオイルウィック	THREAD TAKE-UP LEVER OIL GUARD WICK (COTTON)
20	504063-451	.....	1	天ピンオイルガード止メネジ	THREAD TAKE-UP LEVER OIL GUARD SCREW
21	N19550-114	.....	1	針 (135×65#14) (輸出)	NEEDLE (135×65#14) (EXP.)
	N15150-110	.....	1	針 (16×95#10) (国内)	NEEDLE (16×95#10) (DOM.)
	N19550-116	.....	1	針 (135×65#16) (輸出)	NEEDLE (135×65#16) (EXP.)
	N15150-114	.....	1	針 (16×95#14) (国内)	NEEDLE (16×95#14) (DOM.)
	N19550-121	.....	1	針 (135×65#21)	NEEDLE (135×65#21)
22	540702	.....	1	針棒 (組) (輸出)	NEEDLE BAR (HOLLOW) COMP. (EXP.)
	540659	.....	1	針棒 (組) (国内)	NEEDLE BAR (HOLLOW) COMP. (DOM.)
	540698	.....	1	針棒 (組) (輸出)	NEEDLE BAR (HOLLOW) COMP. (EXP.)
	540700	.....	1	針棒 (組) (国内)	NEEDLE BAR (HOLLOW) COMP. (DOM.)
	540698	.....	1	針棒 (組)	NEEDLE BAR (HOLLOW) COMP.
23	504112	.....	1	針棒ネジ	NEEDLE SET SCREW
24	375571	.....	1	針棒糸通ケ	NEEDLE BAR THREAD GUARD
25	545841	.....	1	針棒メタル (上)	NEEDLE BAR BUSHING (UPPER)
26	504129	.....	1	針棒メタル (上) 止メネジ	NEEDLE BAR BUSHING (UPPER) SET SCREW
27	540703	.....	1	針棒メタル (上) フェルト	NEEDLE BAR BUSHING (UPPER) FELT
28	540524	.....	1	針棒メタル (下)	NEEDLE BAR BUSHING (LOWER)
	540525	.....	1	針棒メタル (下)	NEEDLE BAR BUSHING (LOWER)
29	368446	.....	1	針棒メタル (下) 糸通ケ	NEEDLE BAR BUSHING (LOWER) THREAD EYELET
	368435	.....	1	針棒メタル (下) 糸通ケ	NEEDLE BAR BUSHING (LOWER) THREAD EYELET
30	504129	.....	1	針棒メタル (下) 止メネジ	NEEDLE BAR BUSHING (LOWER) SET SCREW
31	540528	.....	1	針棒メタル (下) フェルト	NEEDLE BAR BUSHING (LOWER) FELT

# PRESSER BAR, PRESSER FOOT AND PRESSER BAR LIFTER

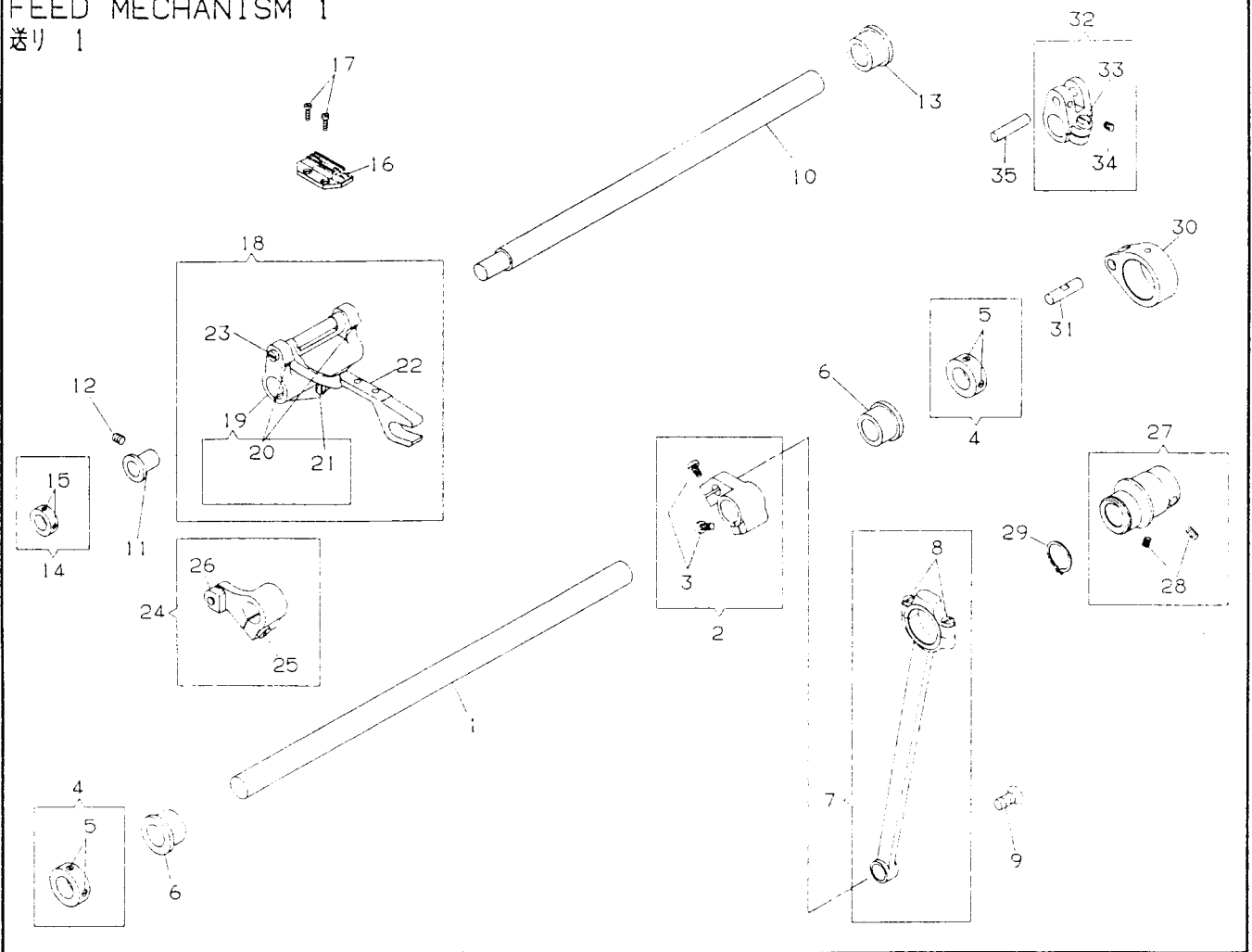
押工棒, 自由押工, 押工上げ



NO.	部品番号 PART NO.	D200A D300A D258A D558A	数量 QTY	名称	DESCRIPTION
1	545864	●●●●	1	押工棒	PRESSER BAR (HOLLOW)
2	505643	●●●●	1	自由押工 (組) (輸出)	PRESSER FOOT (SPRING HINGED) COMP. (EXP.)
	543059	●●●●	1	自由押工 (組) (国内)	PRESSER FOOT (SPRING HINGED) COMP. (DCM.)
	543419	●●●●	1	自由押工 (組)	PRESSER FOOT (SPRING HINGED) COMP.
	541585-002	●●●●	1	自由押工 (組)	PRESSER FOOT (SPRING HINGED) COMP.
3	504063-451	●●●●	1	自由押工止めネジ	PRESSER FOOT SCREW
4	505649	●●●●	1	押工棒メタル	PRESSER BAR BUSHING (LOWER)
5	504129	●●●●	1	押工棒メタル止めネジ	PRESSER BAR BUSHING (LOWER) SET SCREW
6	376423	●●●●	1	押工調節ネジ	PRESSURE REGULATING SCREW
7	376424	●●●●	1	押工調節ネジナット	PRESSURE REGULATING SCREW NUT
8	414342	●●●●	1	押工調節ネジ案内溝	PRESSURE REGULATING SCREW GUIDE ROD
9	414341	●●●●	1	押工棒バネ	PRESSER BAR SPRING
10	376416	●●●●	1	押工棒抱き (組)	PRESSER BAR GUIDE BRACKET COMP.
11	504095	●●●●	1	押工棒抱き止めネジ	PRESSER BAR GUIDE BRACKET SCREW
12	550058-451	●●●●	1	押工上げ	PRESSER BAR LIFTER
13	544212-055	●●●●	1	押工上げ止めネジ	PRESSER BAR LIFTER SET SCREW
14	543804-003	●●●●	1	押工上げ止めネジ座金	PRESSER BAR LIFTER SET SCREW WASHER
15	550059	●●●●	1	押工上げカム (組)	PRESSER BAR LIFTER CAM COMP.
16	543871-003	●●●●	1	押工上げカム軸Oリング	PRESSER BAR LIFTER CAM SHAFT O-RING
17	550069	●●●●	1	膝上げ接続棒	BELL CRANK CONNECTING ARM
18	550070	●●●●	1	膝上げ接続棒 (押し)	BELL CRANK CONNECTING ROD (PUSH)
19	550071	●●●●	1	膝上げ接続棒戻りシバネ	BELL CRANK CONNECTING ARM SPRING
20	550072	●●●●	1	膝上げ接続棒戻りネジ	BELL CRANK CONNECTING ARM HINGE SCREW
21	543871-008	●●●●	1	膝上げ接続棒戻りネジOリング	BELL CRANK CONNECTING ARM HINGE SCREW O-RING
22	543801-006	●●●●	2	膝上げ接続棒戻りネジ止メ輪	BELL CRANK CONNECTING ARM HINGE SCREW SNAP RING
23	368089	●●●●	1	膝上げ接続棒 (引き) 設ネジ (後)	BELL CRANK CONNECTING ROD (PULL) STUD SCREW (BACK)
24	550063	●●●●	1	押工上げ腕	PRESSER BAR LIFTER ARM
25	550064	●●●●	1	膝上げ接続棒 (引き)	BELL CRANK CONNECTING ROD (PULL)
26	368089	●●●●	1	膝上げ接続棒 (引き) 設ネジ (前)	BELL CRANK CONNECTING ROD (PULL) STUD SCREW (FRONT)
27	550065	●●●●	1	押工上げ腕案内板	PRESSER BAR LIFTER ARM GUIDE BRACKET
28	550067	●●●●	1	押工上げ腕戻りネジ	PRESSER BAR LIFTER HINGE SCREW
29	543871-008	●●●●	1	押工上げ腕戻りネジOリング	PRESSER BAR LIFTER HINGE SCREW O-RING
30	543801-006	●●●●	1	押工上げ腕戻りネジ止メ輪	PRESSER BAR LIFTER HINGE SCREW SNAP RING
31	550066	●●●●	1	糸調子作動ピン	TENSION RELEASE ACTUATING PIN

# FEED MECHANISM 1

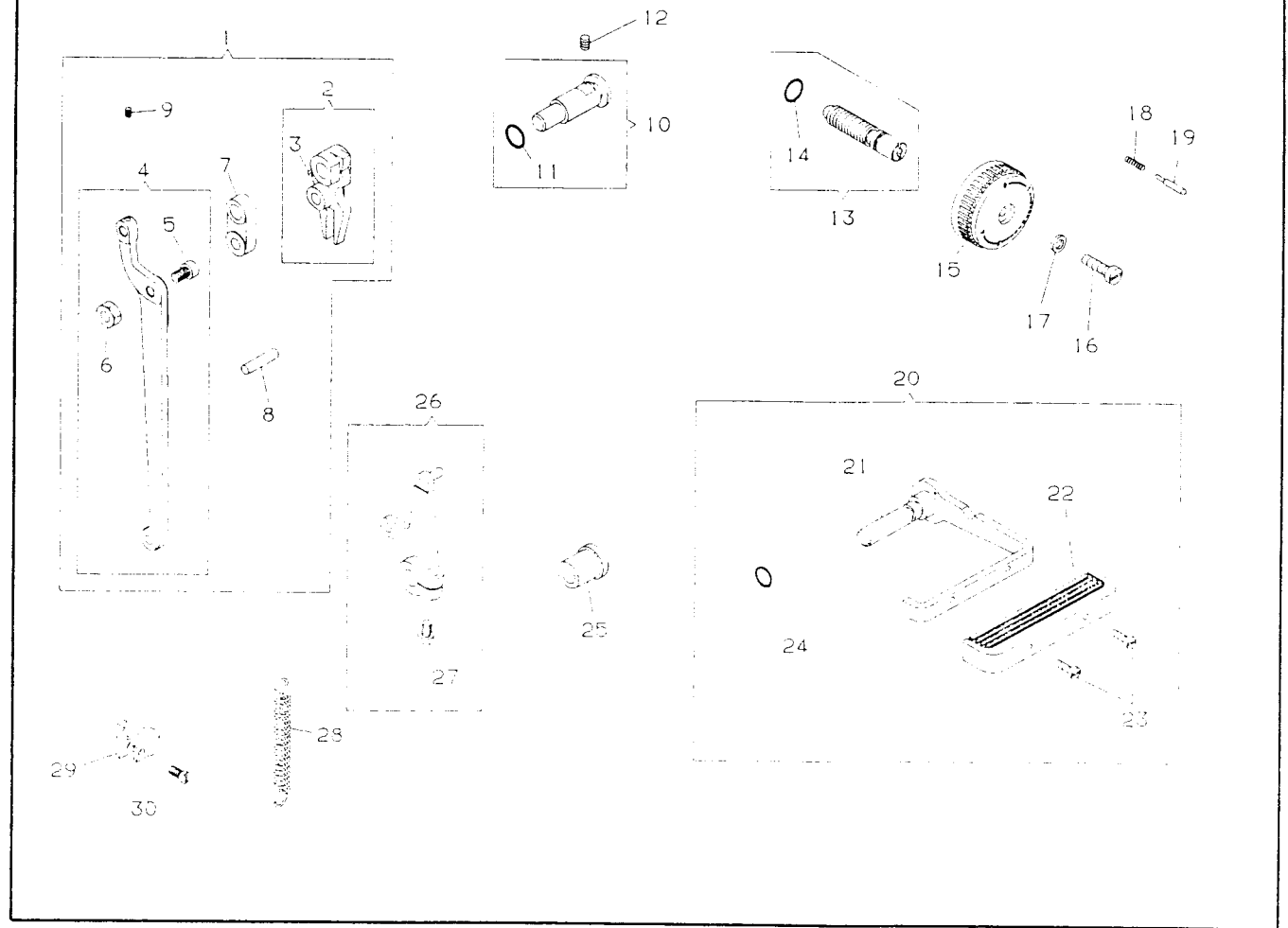
送り 1



NO.	部品番号 PART NO.	D2900A			数量 QTY.	名称	DESCRIPTION
		D2900A	D256A	D556A			
1	544933	●	●	●	1	上下送り軸	FEED LIFTING ROCK SHAFT
2	545807	●	●	●	1	上下送り腕(後)(組)	FEED LIFTING ROCK SHAFT CRANK (BACK) COMP.
3	549183	●	●	●	2	上下送り腕(後)締メネジ	FEED LIFTING ROCK SHAFT CRANK (BACK) CLAMPING SCREW
4	545806	●	●	●	2	上下送り腕カラー(組)	FEED LIFTING ROCK SHAFT COLLAR COMP.
5	504007	●	●	●	4	上下送り腕カラー止メネジ	FEED LIFTING ROCK SHAFT COLLAR SET SCREW
6	545949	●	●	●	2	上下送り腕メタル	FEED LIFTING ROCK SHAFT FLANGED BUSHING
7	376468	●	●	●	1	上下送りクランクロッド(組)	FEED LIFTING ROCK SHAFT CRANK (BACK) CONNECTING ROD COMP.
8	504071	●	●	●	2	上下送りクランクロッド蓋締メネジ	FEED LIFTING ROCK SHAFT CRANK (BACK) CONNECTING ROD CAP SCREW
9	545799	●	●	●	1	上下送りクランクロッドヒンジスタッド	FEED LIFTING ROCK SHAFT CRANK (BACK) CONNECTING ROD HINGE STUD
10	414288	●	●	●	1	水平送り軸	FEED ROCK SHAFT
11	545836	●	●	●	1	水平送り腕メタル(前)	FEED ROCK SHAFT FLANGED BUSHING (FRONT)
12	504094	●	●	●	1	水平送り腕メタル(前)止メネジ	FEED ROCK SHAFT FLANGED BUSHING (FRONT) SET SCREW
13	545949	●	●	●	1	水平送り腕メタル(後)	FEED ROCK SHAFT FLANGED BUSHING (BACK)
14	545837	●	●	●	1	水平送り腕カラー(組)	FEED ROCK SHAFT COLLAR COMP.
15	504007	●	●	●	2	水平送り腕カラー止メネジ	FEED ROCK SHAFT COLLAR SET SCREW
16	376445	●	●	●	1	送り(輸出)	FEED DOG (EXP.)
	543372	●	●	●	1	送り(国内)	FEED DOG (DOM.)
	12481	●	●	●	1	送り	FEED DOG
	143366	●	●	●	1	送り(USA向)	FEED DOG (FOR USA)
	143174	●	●	●	1	送り	FEED DOG
17	504051	●	●	●	2	送り締メネジ	FEED DOG SCREW
18	376331	●	●	●	1	送り台、送り台キャリア(組)	FEED BAR COMP.
19	376332	●	●	●	1	送り台キャリア(組)	FEED BAR CARRIER COMP.
20	544207-013	●	●	●	2	送り台ヒンジピン締メネジ	FEED BAR HINGE PIN CLAMPING SCREW
21	549028	●	●	●	1	送り台キャリア締メネジ	FEED BAR CARRIER CLAMPING SCREW
22	544925	●	●	●	1	送り台	FEED BAR
23	544928	●	●	●	1	送り台ヒンジピン	FEED BAR HINGE PIN
24	544934	●	●	●	1	上下送り腕(前)(締組)	FEED LIFTING ROCK SHAFT CRANK (FRONT) COMP.
25	545043	●	●	●	1	上下送り腕(前)締メネジ	FEED LIFTING ROCK SHAFT CRANK (FRONT) CLAMPING SCREW
26	505633	●	●	●	1	上下送り腕コロ(組)	FEED LIFTING ROCK SHAFT CRANK (FRONT) SLIDE BLOCK
27	376428	●	●	●	1	送りカム(組)	FEED AND FEED LIFTING ECCENTRIC COMP.
28	545313	●	●	●	2	送りカム止メネジ	FEED AND FEED LIFTING ECCENTRIC SET SCREW
29	543866-022	●	●	●	1	送りカムリング	FEED AND FEED LIFTING ECCENTRIC RING
30	544908	●	●	●	1	送りクランク	FEED REGULATING CRANK
	376243	●	●	●	1	送りクランク	FEED REGULATING CRANK
31	544909	●	●	●	1	送りクランクピン	FEED REGULATING CRANK PIN
32	544919	●	●	●	1	水平送り腕(組)	FEED ROCK SHAFT CRANK COMP.
	376249	●	●	●	1	水平送り腕(組)	FEED ROCK SHAFT CRANK COMP.
33	549183	●	●	●	1	水平送り腕締メネジ	FEED ROCK SHAFT CRANK CLAMPING SCREW
34	544203-001	●	●	●	1	水平送り腕止メネジ	FEED ROCK SHAFT CRANK PIN SET SCREW
35	544910	●	●	●	1	水平送り腕軸	FEED ROCK SHAFT CRANK PIN

# FEED MECHANISM 2

送り 2

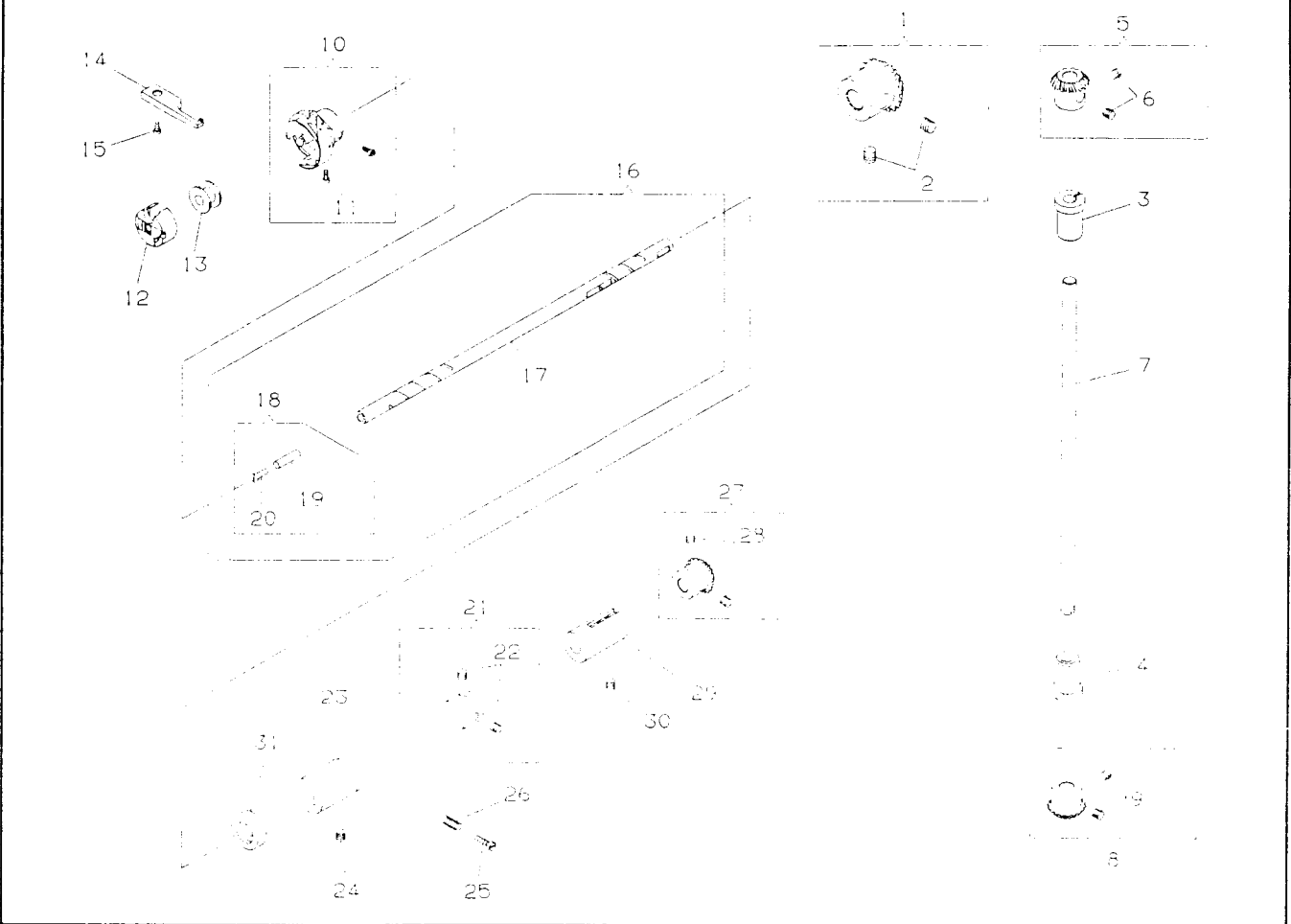


No.	部品番号 PART NO.	D200A D300A D250A D550A			数量 QTY	名称	DESCRIPTION
1	544911 376244	●	●	●		送りクランクロッド、送りリンク、送り調節器(組)	FEED REGULATOR AND FEED ROCK SHAFT CRANK CONNECTING ROD COMP.
2	544917	●	●	●		送りクランクロッド、送りリンク、送り調節器(組)	FEED REGULATOR AND FEED ROCK SHAFT CRANK CONNECTING ROD COMP.
3	545136-452	●	●	●		送りリンク軸止メネジ	FEED CONNECTING LINK STUD SET SCREW
4	414272	●	●	●		送りクランクロッド(組)	FEED ROCK SHAFT CRANK CONNECTING ROD COMP.
5	376245	●	●	●		送りクランクロッド(組)	FEED ROCK SHAFT CRANK CONNECTING ROD COMP.
6	544914	●	●	●		送りリンクネジスタッド	FEED CONNECTING LINK STUD
7	154981	●	●	●		送りリンクネジスタッドナット	FEED CONNECTING LINK SCREW STUD NUT
8	544915	●	●	●		送りリンク	FEED CONNECTING LINK
9	544916	●	●	●		送りリンク軸	FEED CONNECTING LINK STUD
10	544203-007 550035	●	●	●		送りクランクピン止メネジ	FEED REGULATING CRANK PIN SET SCREW
11	543871-010	●	●	●		送り調節器軸(組)	FEED REGULATOR HINGE STUD COMP.
12	504002	●	●	●		送り調節器軸Oリング	FEED REGULATOR HINGE STUD O-RING
13	550237	●	●	●		送り調節器軸止メネジ	FEED REGULATOR HINGE STUD SET SCREW
14	543871-007	●	●	●		送り調節ネジ(組)	FEED REGULATING STUD COMP.
15	550108-451	●	●	●		送り調節ネジOリング	FEED REGULATING STUD O-RING
16	550109-451	●	●	●		送り調節ダイヤル	FEED REGULATING DIAL
17	550239-383	●	●	●		送り調節ダイヤル	FEED REGULATING DIAL
18	544218-053	●	●	●		送り調節ダイヤル止メネジ	FEED REGULATING DIAL CAP SCREW
19	543803-004	●	●	●		送り調節ダイヤル止メネジ座金	FEED REGULATING DIAL CAP SCREW WASHER
20	545820	●	●	●		送り調節ダイヤルロックピンバネ	FEED REGULATING DIAL LOCK PIN SPRING
21	19368114	●	●	●		送り調節ダイヤルロックピン	FEED REGULATING DIAL LOCK PIN
22	550110-451	●	●	●		送り逆レバー(組)	FEED REVERSE LEVER ASSY.
23	550112	●	●	●		送り逆レバー(組)	FEED REVERSE LEVER COMP.
24	550115-451	●	●	●		送り逆レバーカバー	FEED REVERSE LEVER COVER
25	544212-053	●	●	●		送り逆レバーカバー止メネジ	FEED REVERSE LEVER COVER SET SCREW
26	543871-006	●	●	●	2	送り逆レバー軸Oリング	FEED REVERSE LEVER HINGE STUD O-RING
27	368129	●	●	●		送り逆レバー軸メタル	FEED REVERSE LEVER HINGE STUD FLANGED BUSHING
28	544937	●	●	●		送り逆レバーリンク(組)	FEED REVERSE LEVER LINK COMP.
29	549028	●	●	●		送り逆レバーリンク軸メネジ	FEED REVERSE LEVER LINK CLAMPING SCREW
30	540639	●	●	●		送り逆レバーリンクバネ	FEED REVERSE LEVER SPRING
31	376441	●	●	●		送り逆レバーリンクバネ掛ケ	FEED REVERSE LEVER SPRING RETAINER
32	544213-054	●	●	●		送り逆レバーリンクバネ掛ケ軸メネジ	FEED REVERSE LEVER SPRING RETAINER SCREW



# UPRIGHT SHAFT AND ROTATING HOOK SHAFT

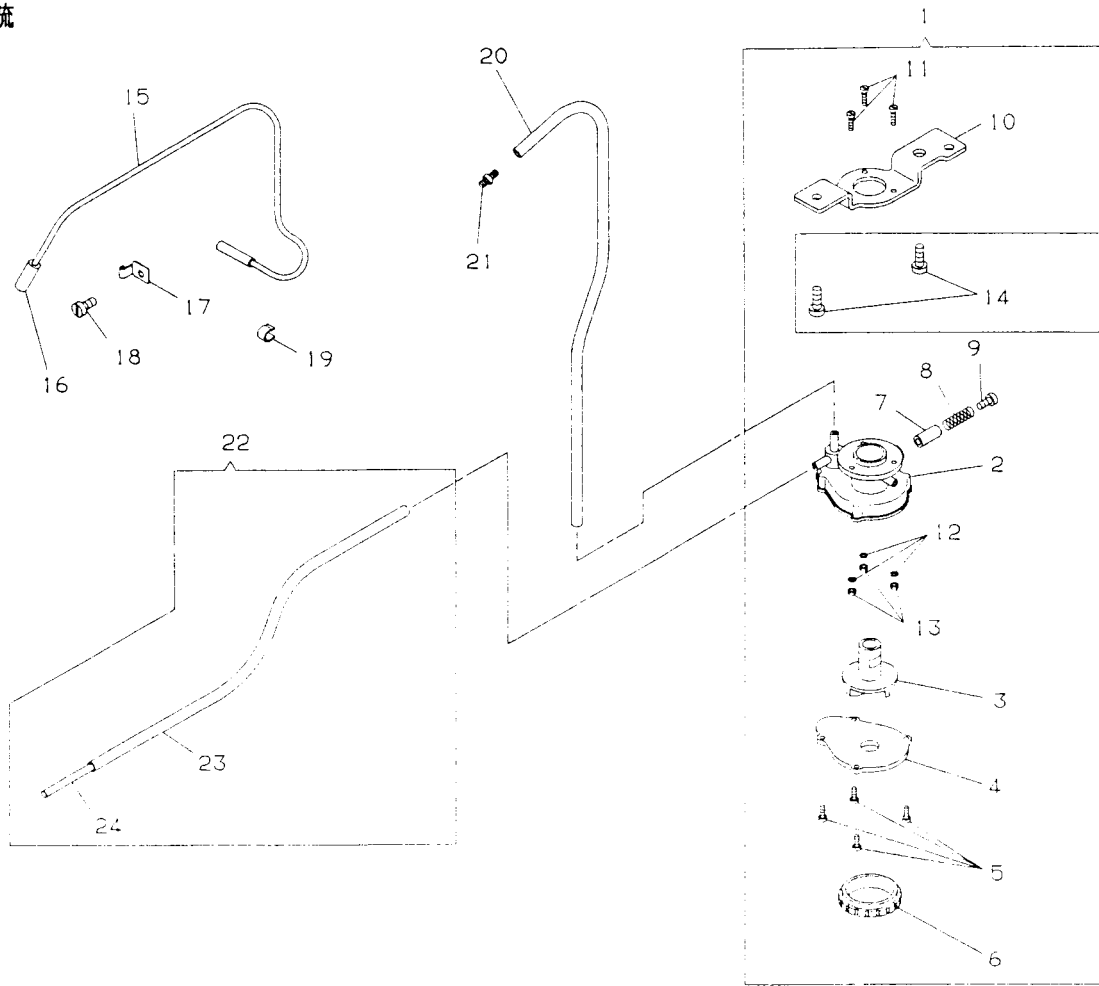
竖轴, 下轴



NO.	部品番号 PART NU.	0206A 0306A 0406A 0506A	数量 QTY	名称	DESCRIPTION
1	545767	●●●●	1	上轴歯車(組)	ARM SHAFT (HORIZONTAL) BEVEL GEAR COMP.
2	501086	●●●●	2	上轴歯車止メネジ	ARM SHAFT (HORIZONTAL) BEVEL GEAR SET SCREW
3	545767	●●●●	1	竖轴メタル(上)	ARM SHAFT (UPRIGHT) BUSHING (UPPER)
4	545766	●●●●	1	竖轴メタル(下)	ARM SHAFT (UPRIGHT) BUSHING (LOWER)
5	545765	●●●●	1	竖轴歯車(上)(組)	ARM SHAFT (UPRIGHT) BEVEL GEAR (UPPER) COMP.
6	504101	●●●●	2	竖轴歯車(上)止メネジ	ARM SHAFT (UPRIGHT) BEVEL GEAR (UPPER) SET SCREW
7	550118	●●●●	1	竖轴	ARM SHAFT (UPRIGHT)
8	545764	●●●●	1	竖轴歯車(下)(組)	ARM SHAFT (UPRIGHT) BEVEL GEAR (LOWER) COMP.
9	504101	●●●●	2	竖轴歯車(下)止メネジ	ARM SHAFT (UPRIGHT) BEVEL GEAR (LOWER) SET SCREW
10	414126	●●●●	1	外ガマ, 中ガマ(組)	ROTATING HOOK AND ROTATING HOOK BOBBIN CASE HOLDER COMP.
11	414424	●●●●	1	外ガマ, 中ガマ(組)	ROTATING HOOK AND ROTATING HOOK BOBBIN CASE HOLDER COMP.
12	376405	●●●●	1	外ガマ, 中ガマ(組)	ROTATING HOOK AND ROTATING HOOK BOBBIN CASE HOLDER COMP.
13	544244	●●●●	2	外ガマ止メネジ	ROTATING HOOK SCREW
14	544745	●●●●	1	ボビンケース(組)	ROTATING HOOK BOBBIN CASE COMP.
15	376406	●●●●	1	ボビンケース(組)	ROTATING HOOK BOBBIN CASE COMP.
16	55623	●●●●	1	ボビン	ROTATING HOOK BOBBIN
17	366963	●●●●	1	ボビン	ROTATING HOOK BOBBIN
18	545881	●●●●	1	中ガマ止メ	ROTATING HOOK BOBBIN CASE HOLDER POSITION BRACKET
19	376403	●●●●	1	中ガマ止メ	ROTATING HOOK BOBBIN CASE HOLDER POSITION BRACKET
20	504084	●●●●	1	中ガマ止メ止メネジ	ROTATING HOOK BOBBIN CASE HOLDER POSITION BRACKET SCREW
21	550119	●●●●	1	下轴(組)	ROTATING HOOK SHAFT COMP.
22	550120	●●●●	1	下轴	ROTATING HOOK SHAFT
23	505648	●●●●	1	下轴オイルフィルター(組)	ROTATING HOOK SHAFT OIL FILTER COMP.
24	1143042	●●●●	1	下轴オイルフィルターフレーム	ROTATING HOOK SHAFT OIL FILTER WICK HOLDER
25	505647	●●●●	1	下轴油流止メネジ	ROTATING HOOK SHAFT OIL FILTER WICK HOLDER
26	368386	●●●●	1	下轴カー(組)	ROTATING HOOK SHAFT OIL RETAINING COLLAR COMP.
27	504101	●●●●	2	下轴カー止メネジ	ROTATING HOOK SHAFT OIL RETAINING COLLAR SET SCREW
28	550121	●●●●	1	下轴メタル(前)	ROTATING HOOK SHAFT BUSHING (FRONT)
29	504002	●●●●	1	下轴メタル(前)止メネジ	ROTATING HOOK SHAFT BUSHING (FRONT) SET SCREW
30	544246	●●●●	1	油流調整ネジ	ROTATING HOOK OIL FLOW REGULATING THUMB SCREW
31	544958	●●●●	1	油流調整ネジスプリング	ROTATING HOOK OIL FLOW REGULATING THUMB SCREW SPRING
32	545887	●●●●	1	下轴歯車(組)	ROTATING HOOK SHAFT BEVEL GEAR (FRONT) COMP.
33	504101	●●●●	2	下轴歯車止メネジ	ROTATING HOOK SHAFT BEVEL GEAR SET SCREW
34	550122	●●●●	1	下轴メタル(後)	ROTATING HOOK SHAFT BUSHING (BACK)
35	504002	●●●●	1	下轴メタル(後)止メネジ	ROTATING HOOK SHAFT BUSHING (BACK) SET SCREW
36	550123	●●●●	1	下轴オイルシール	ROTATING HOOK SHAFT OIL SEAL

# LUBRICATING MECHANISM

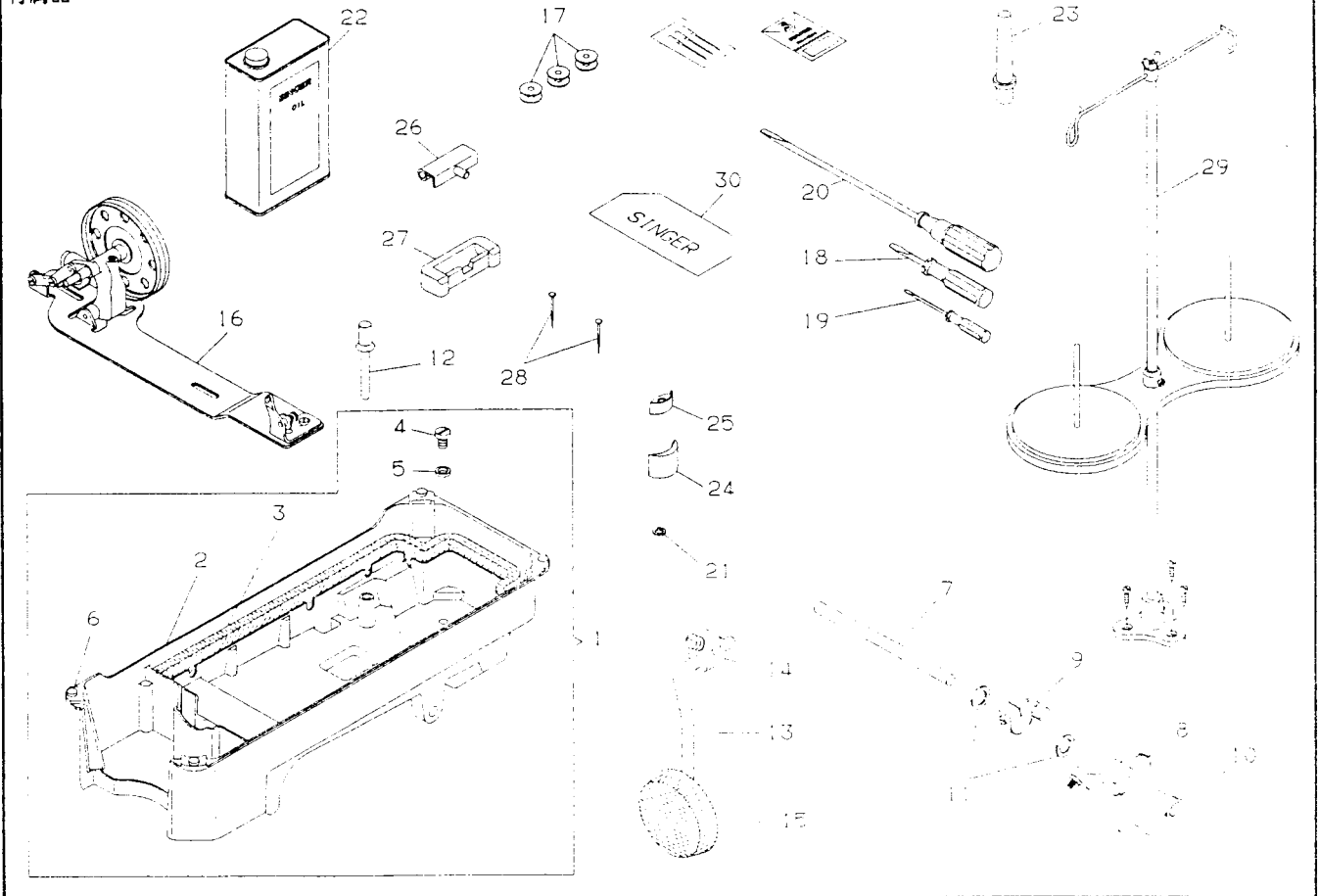
給油, 還流



NO.	部品番号 PART NO.	D200A D300A D450A D550A	数量 QTY	名称	DESCRIPTION
1	550124	●●●●	1	オイルポンプ(組)	OIL PUMP (CENTRIFUGAL) COMP.
2	544968	●●●●	1	オイルポンプ(体)	OIL PUMP (CENTRIFUGAL)
3	544969	●●●●	1	インペラー	OIL PUMP (CENTRIFUGAL) IMPELLER
4	544970	●●●●	1	オイルポンプ蓋	OIL PUMP (CENTRIFUGAL) COVER
5	544248	●●●●	4	オイルポンプ蓋止めネジ	OIL PUMP (CENTRIFUGAL) COVER SCREW
6	544971	●●●●	1	オイルポンプスクリーン	OIL PUMP (CENTRIFUGAL) SCREEN
7	544972	●●●●	1	還流ピストン	OIL REMOVING PISTON
8	410710	●●●●	1	還流ピストンバネ	OIL REMOVING PISTON SPRING
9	414716	●●●●	1	還流ピストンバネ押エネジ(組)	OIL REMOVING PISTON SPRING SCREW COMP.
10	550125	●●●●	1	オイルポンプブラケット	OIL PUMP (CENTRIFUGAL) BRACKET
11	544211-004	●●●●	3	オイルポンプブラケット止めネジ	OIL PUMP (CENTRIFUGAL) BRACKET SCREW
12	543814-001	●●●●	3	オイルポンプブラケット止めネジ垫金	OIL PUMP (CENTRIFUGAL) BRACKET SCREW WASHER
13	541164-001	●●●●	3	オイルポンプブラケット止めネジナット	OIL PUMP (CENTRIFUGAL) BRACKET SCREW NUT
14	544213-001	●●●●	2	オイルポンプ(組)止めネジ	OIL PUMP (CENTRIFUGAL) SCREW
15	368137	●●●●	1	還流チューブ(組)	OIL REMOVING TUBE COMP.
16	16380	●●●●	1	還流チューブスクリーン	OIL REMOVING LINT SCREEN
17	543371	●●●●	1	還流チューブ支え	OIL REMOVING TUBE RETAINING CLAMP
18	544212-001	●●●●	1	還流チューブ支え止めネジ	OIL REMOVING TUBE RETAINING CLAMP SCREW
19	543334	●●●●	1	還流チューブ止めバネ	OIL TUBE CLAMP
20	550128	●●●●	1	オイルパイプ(上軸用)	OIL TUBE (ARM SHAFT)
21	544964	●●●●	1	オイルパイプ(上軸用)継手	OIL TUBE (ARM SHAFT) JOINT
22	414085	●●●●	1	オイルチューブ(下軸用)(組)	OIL TUBE (ROTATING HOCK SHAFT) COMP.
23	410773	●●●●	1	オイルチューブ(下軸用)	OIL TUBE (ROTATING HOCK SHAFT)
24	543332	●●●●	1	オイルチューブ(下軸用)継手	OIL TUBE (ROTATING HOCK SHAFT) JOINT

# ACCESSORIES AND ATTACHMENTS

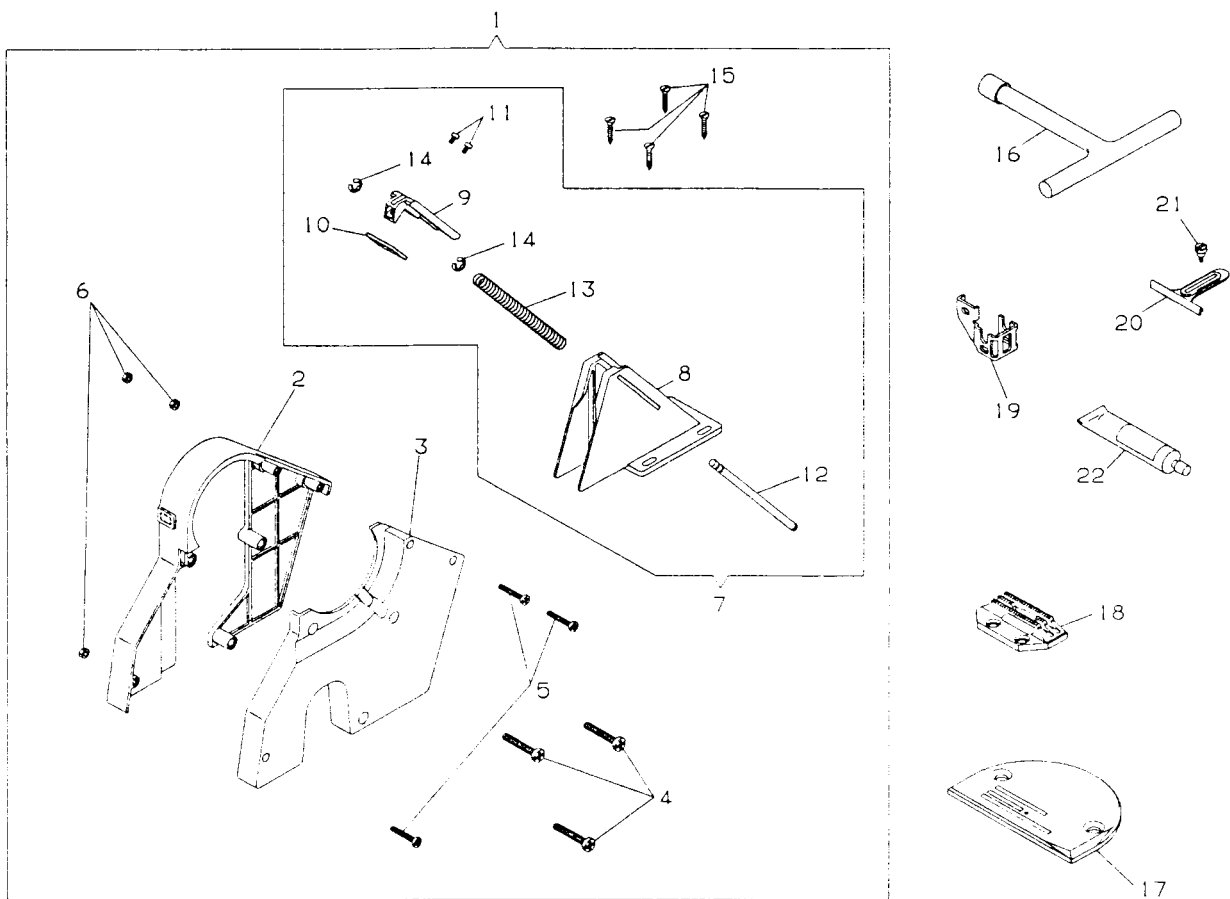
付属品



NO.	部品番号 PART NO.	10200JA D300A	D300A	D258A	D258A	数量 QTY.	名称	DESCRIPTION
1	550157	●	●	●	●	1	機台(組)	MACHINE BASE AND OIL RESERVOIR COMP.
2	550158	●	●	●	●	1	機台	MACHINE BASE AND OIL RESERVOIR
3	544978	●	●	●	●	1	機台ガスケット	MACHINE BASE AND OIL RESERVOIR GASKET
4	545036	●	●	●	●	1	機台ドレーンネジ	MACHINE BASE AND OIL RESERVOIR OIL DRAIN PLUG SCREW
5	545754	●	●	●	●	1	機台ドレーンネジパッキン	MACHINE BASE AND OIL RESERVOIR OIL DRAIN PLUG SCREW GASKET
6	368377	●	●	●	●	4	ミシン受ケッション	MACHINE REST (RUBBER)
7	368257	●	●	●	●	1	膝当軸	ROCK SHAFT
8	545915	●	●	●	●	1	膝当腕(組)	ROCK SHAFT CRANK COMP.
9	545922	●	●	●	●	1	膝当回転止め(組)	ROCK SHAFT STOP DOG COMP.
10	545921	●	●	●	●	1	膝当バネ	ROCK SHAFT SPRING
11	543823-001	●	●	●	●	2	スラストワッシャー	THRUST WASHER
12	550159	●	●	●	●	1	膝上げプランジャー	BELL CRANK PLUNGER COMP.
13	544895	●	●	●	●	1	膝当棒	ROCK SHAFT KNEE ARM
14	376436	●	●	●	●	1	膝当棒突エ(組)	ROCK SHAFT KNEE ARM HUB COMP.
15	414115	●	●	●	●	1	膝当(組)	ROCK SHAFT KNEE ARM PLATE COMP.
16	505655-012	●	●	●	●	1	糸巻装置(組)	BOBBIN WINDER COMP.
17	55623	●	●	●	●	3	ボビン	ROTATING HOOK BOBBIN
18	368317	●	●	●	●	1	ドライバー(大)	SCREW DRIVER (LARGE)
19	541514	●	●	●	●	1	ドライバー(小)	SCREW DRIVER (SMALL)
20	548701	●	●	●	●	1	ドライバー(長)	SCREW DRIVER (LONG)
21	545754	●	●	●	●	1	機台ドレーンネジパッキン	MACHINE BASE AND OIL RESERVOIR OIL DRAIN PLUG SCREW GASKET
22	410154	●	●	●	●	1	機台(容量オイル750cc)	OIL CAN (750cc, FILLED WITH SINGER TYPE "O" OIL)
23	410186	●	●	●	●	1	レストピン	MACHINE REST PIN
24	540520	●	●	●	●	2	機台クッション(大)(前)	MACHINE BASE AND OIL RESERVOIR CUSHION (FRONT) (EXPL.)
25	368379	●	●	●	●	2	機台クッション(大)(前)	MACHINE BASE AND OIL RESERVOIR CUSHION (FRONT) (DOM.)
26	540521	●	●	●	●	2	機台クッション(大)(後)	MACHINE BASE AND OIL RESERVOIR CUSHION (BACK) (EXPL.)
27	368380	●	●	●	●	2	機台クッション(大)(後)	MACHINE BASE AND OIL RESERVOIR CUSHION (BACK) (DOM.)
28	540523	●	●	●	●	2	ミシンヒンジ	MACHINE HINGE CONNECTION
29	368381	●	●	●	●	2	ミシンヒンジ受ケ(輸出)	MACHINE HINGE CONNECTION CUSHION (EXPL.)
30	546920	●	●	●	●	2	ミシンヒンジ受ケ(国内)	MACHINE HINGE CONNECTION CUSHION (DOM.)
31	505656-007	●	●	●	●	2	ミシンヒンジ受ケ釘	MACHINE HINGE CONNECTION CUSHION WIRE NAIL
32	414407	●	●	●	●	1	二本糸立台(組)	THREAD UNWINDER (FOR TWO SPOOLS) COMP.
33	376430	●	●	●	●	1	ミシンカバー(輸出)	MACHINE COVER (EXPL.)
34	376431	●	●	●	●	1	針パック(N1955-01#14;3本入)(輸出)	NEEDLE PACK (N1955-01#14) (EXPL.)
35	376431	●	●	●	●	1	針パック(N1955-01#16;3本入)(輸出)	NEEDLE PACK (N1955-01#16) (EXPL.)
36	N15150-110	●	●	●	●	3	針(16X95#10)(国内)	NEEDLE (16X95#10) (DOM.)
37	N15150-114	●	●	●	●	3	針(16X95#14)(国内)	NEEDLE (16X95#14) (DOM.)
38	N19550-121	●	●	●	●	3	針(135X65#21)	NEEDLE (135X65#21)

PARTS AVAILABLE AT EXTRA CHARGE

別売品



NO.	部品番号 PART NO.	D300A	D300A	D258A	D558A	数量 QTY.	名称	DESCRIPTION
1	550241-383	●	●	●	●	1	ベルトガード(組)	BELT GUARD COMP.
2	550242-383	●	●	●	●	1	ベルトガード(左)	BELT GUARD (LEFT)
3	550243-383	●	●	●	●	1	ベルトガード(右)	BELT GUARD (RIGHT)
4	544213-058	●	●	●	●	3	ベルトガード止めネジ	BELT GUARD SCREW
5	544212-007	●	●	●	●	3	ベルトガード止めネジナット	BELT GUARD SCREW NUT
6	541165-001	●	●	●	●	3	ベルトガード止めネジナット	BELT GUARD SCREW NUT
7	550165-451	●	●	●	●	1	ベルトガード(下)(組)	BELT GUARD (LOWER) COMP.
8	550166-451	●	●	●	●	1	ベルトガード(下)	BELT GUARD (LOWER)
9	550167-451	●	●	●	●	1	ベルトガードスライド	BELT GUARD SLIDE
10	550168	●	●	●	●	1	ベルトガードスライドプレート	BELT GUARD SLIDE PLATE
11	544211-053	●	●	●	●	2	ベルトガードスライド止メネジ	BELT GUARD SLIDE SCREW
12	550169	●	●	●	●	1	ベルトガードスライドシャフト	BELT GUARD SLIDE SHAFT
13	368279	●	●	●	●	1	ベルトガードスライドバネ	BELT GUARD SLIDE SPRING
14	408913	●	●	●	●	2	ベルトガードスライドシャフト止メ輪	BELT GUARD SLIDE SHAFT SNAP RING
15	549398	●	●	●	●	4	ベルトガード(下)木ネジ	BELT GUARD (LOWER) WOOD SCREW
16	545945	●	●	●	●	1	ボックスレンチ	BOX WRENCH
17	52032-452	●	●	●	●	1	針板	THROAT PLATE
	142060-452	●	●	●	●	1	針板	THROAT PLATE
	142061-452	●	●	●	●	1	針板	THROAT PLATE
18	149057	●	●	●	●	1	送り	FEED DOG
19	376461	●	●	●	●	1	ニードルガード	NEEDLE GUARD
20	541515	●	●	●	●	1	クロスガイド	CLOTH GUIDE
21	504030	●	●	●	●	1	クロスガイド止メネジ	CLOTH GUIDE SCREW
22	414155	●	●	●	●	1	シール剤	SEAL COMPOUND